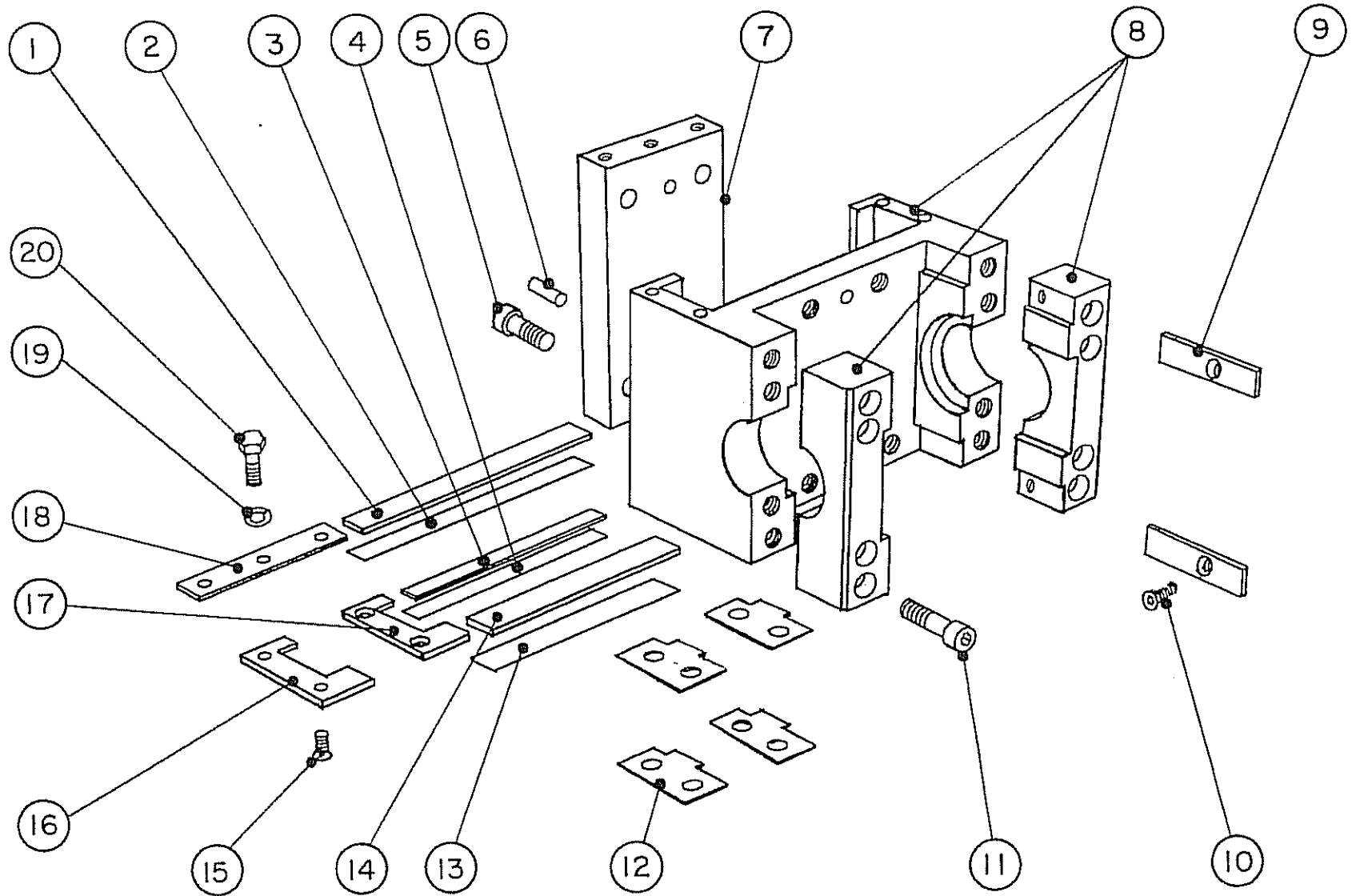


Q-350



Q-350

REF. NO.	PART NO.	DESCRIPTION	NO. REQ.
1	400 163	SLIDE BEARING, RYERTEX 1/4" x 1 3/16" x 10"	2
2	400 171	SHIM, BRASS, 1" x 10" x .010"	1
3	400 169	SLIDE BEARING, RYERTEX 1/4" x 11/16" x 8"	2
4	400 162	SHIM, BRASS, 9/16" x 8" x .010"	1
5	300 055	CAPSCREW, 5/8-18 x 1 3/4" SOCKETHEAD	4
6	300 058	DOWEL PIN, 1/2" x 2"	2
7	300 070	CLEVIS PAD	1
8	300 074	CLEVIS WELDMENT	1
9	300 073	WEAR STRIP, CLEVIS PLATE	2
10	300 053	CAPSCREW, 5/16-18 x 5/8" FLATHEAD SOCKET	2
11	300 054	CAPSCREW, 5/8-11 x 2 1/4" SOCKETHEAD	8
12	300 057	SHIM, BRASS, 2" x 2 3/4" x .005"	4
13	400 488	SHIM, BRASS, 1" x 8" x .010"	1
14	400 487	SLIDE BEARING, RYERTEX 1/4" x 1 3/16" x 8"	2
15	300 052	CAPSCREW, 5/16-18 x 3/4" FLATHEAD SOCKET	8
16	300 071	RETAINER, R.H.	2
17	300 066	RETAINER, L.H.	2
18	300 072	RETAINER	2
19	500 447	LOCKWASHER, 5/16"	6
20	335	CAPSCREW, 5/16-18 x 3/4" HEX	6

<b>LAYTON MANUFACTURING COMPANY</b> SALEM, OREGON			DRAWN BY: DATE: 2/86				
HD-	CB-	DR-	PIC. NO.	HD-	CB-	DR-	SHEET NO. 71
TITLE: CLEVIS				DRAWING NO.:			
				Q-350	PAGE NO.		5

5